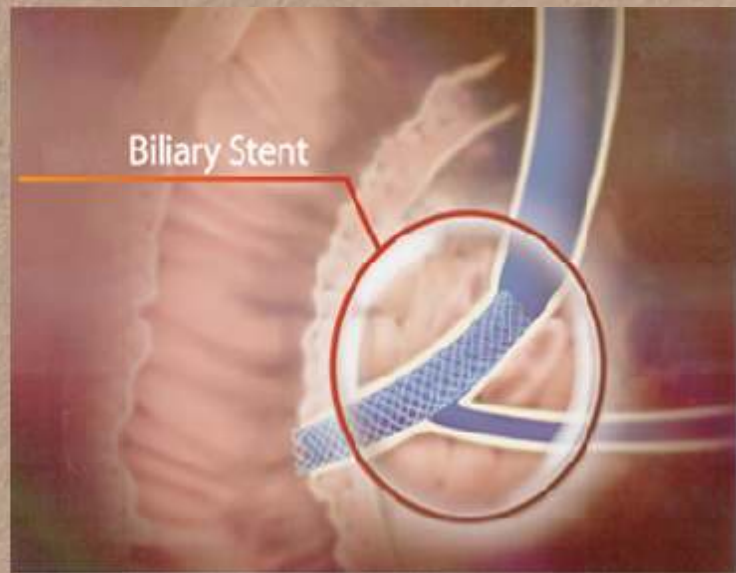
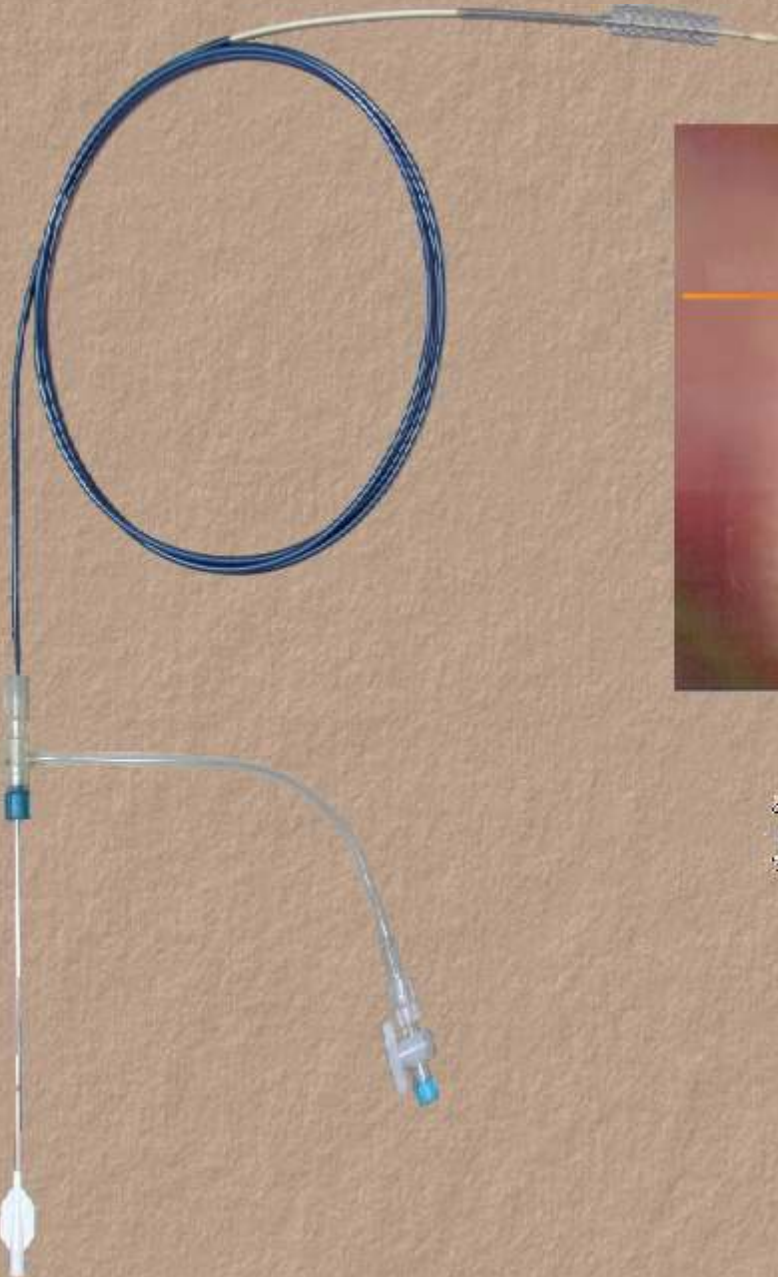


# PALLIATOR<sup>TM</sup>

## BILLIARY STENT

COVERED

UNCOVERED

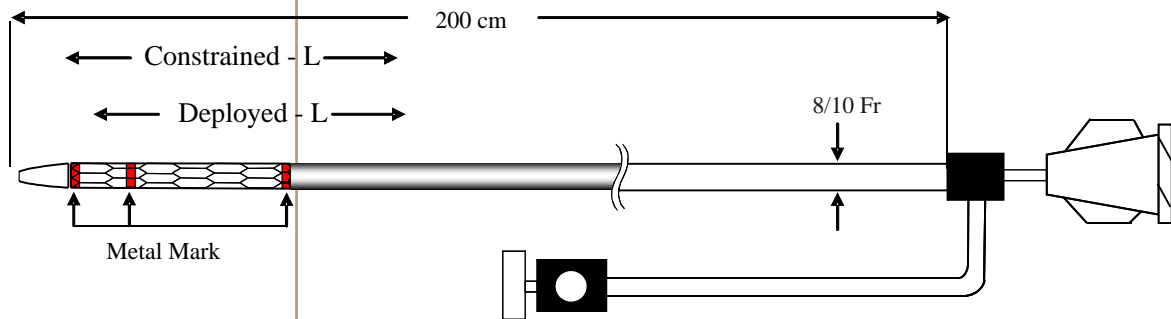


# PALLIATOR<sup>TM</sup>

## BILLIARY STENT

### Product Features : -

- Nitinol stent.
- Small Cell Size
- Dynamic Radial Force
- Braided Tubing of Delivery System
- Three Marking on Delivery System for Reliable Positioning
- Flexible Construction to Confirm Anatomy.



Catalog No.	Stent Type	Stent OD	Stent Length	Catheter Size
EMS - 0210060	Uncovered	10 mm	6 cm	8 Fr x 200 cm
EMS - 0210080	Uncovered	10 mm	8 cm	8 Fr x 200 cm
EMS - 0210100	Uncovered	10 mm	10 cm	8 Fr x 200 cm
EMS - 0210120	Uncovered	10 mm	12 cm	8 Fr x 200 cm
EMS - 0310060	Covered	10 mm	6 cm	10 Fr x 200 cm
EMS - 0310080	Covered	10 mm	8 cm	10 Fr x 200 cm

Other size and configurations are available on request.

Manufactured by:



**Technologies Pvt.Ltd.**

New Delhi - INDIA  
 Ph. : +91 11 22048222  
 Fax : +91 11 22447748  
 URL : www.endomed.in  
 E-mail : info@endomed.in

Distributed by: