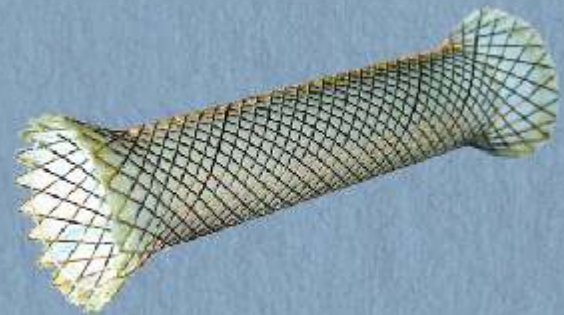
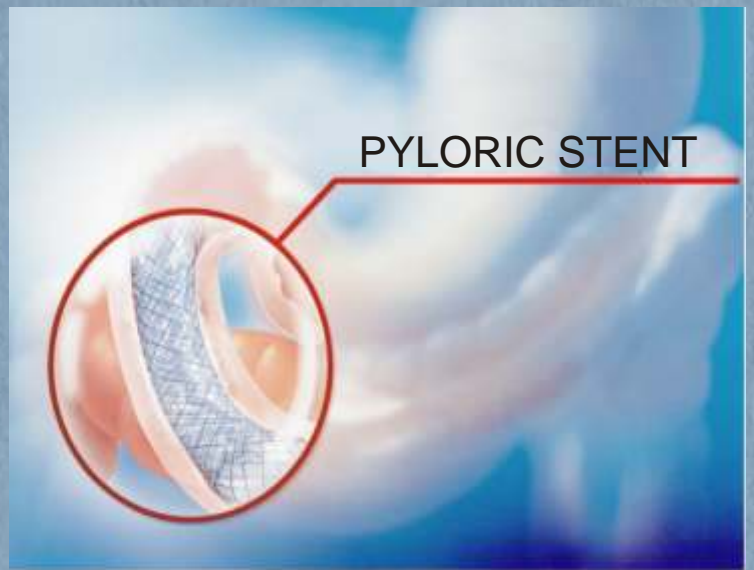


# PALLIATOR<sup>TM</sup>

DUODENAL / PYLORIC / COLONIC STENT

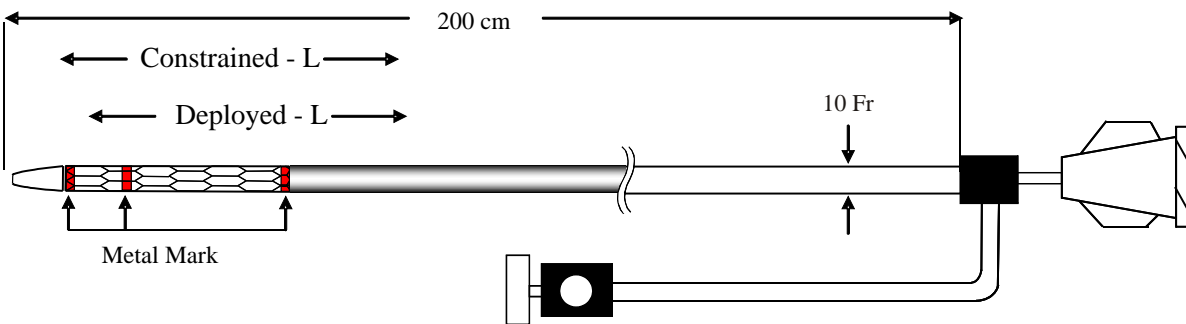


# PALLIATOR<sup>TM</sup>

DUODENAL /PYLORIC /COLONIC STENT

## Product Features :-

- Nitinol stent.
- Small Cell Sizes.
- Zero Shortening at Proximal End.
- Braided Tubing of Delivery System.
- Flexible Construction to Confirm Anatomy.
- Three Marking on Delivery System for Reliable Positioning.



Catalog No.	Stent Type	Stent OD	Stent OD	Catheter Size
EMS - 0420008	Uncovered	20 mm	8 cm	10 Fr x 230 cm
EMS - 0420010	Uncovered	20 mm	10 cm	10 Fr x 230 cm
EMS - 0420012	Uncovered	20 mm	12cm	10 Fr x 230 cm
EMS - 0424008	Uncovered	24 mm	8 cm	10 Fr x 230 cm
EMS - 0424010	Uncovered	24 mm	10 cm	10 Fr x 230 cm

Other size and configurations are available on request.

Manufactured by:

**Endo-Med<sup>®</sup>**  
Technologies Pvt.Ltd.

New Delhi - India  
Ph. :+91 11 22048222  
Fax :+91 11 22447748  
URL :www.endomed.in  
E-mail :info@endomed.in

Distributed by: